



www.offmax.com.hk

offmax[®] **Offmax Limited 奧美斯傢俱有限公司**
Offmax Supplies Co., Ltd 奧美斯洋行

Hong Kong Head Office / Showroom* 香港總辦事處 / 展廳
10/F., North Point Industrial Building, 499 King's Road, North Point, Hong Kong
香港北角英皇道499號, 北角工業大廈10樓
Tel 電話 : (852) 2838 3830 Fax 傳真 : (852) 2553 0088
Email 電郵 : enquiry@offmax.com.hk

*Please make appointment before visiting our showroom
*如欲參觀, 敬希預約

Shanghai Sales Office 上海辦公室
Tel 電話 : (86) 021-6167 3668

All rights reserved. Any reproduction or modification in any form or by any means without prior written permission is illegal and strictly prohibited.
本冊版權為奧美斯所有, 未經書面同意, 任何單位或個人不得以任何方式或理由使用、複製、修改、抄錄或傳播圖冊內述的任何部分。

With continuous product development, design and specification are subjected to possible modification without prior notice.
為不斷改良產品質量, 設計及規格日後若有更改, 恕不另外通知。

mercury



mercury



The design of the MERCURY chair is simple yet powerful. The aluminium die-casting structure is so minimal that there are almost no space to hide the technology required for operating the chair. In cooperation with ASIS Design research and development team, we achieved the best solution of combining structure technique an dappearance aesthetics, comfort and easily use.



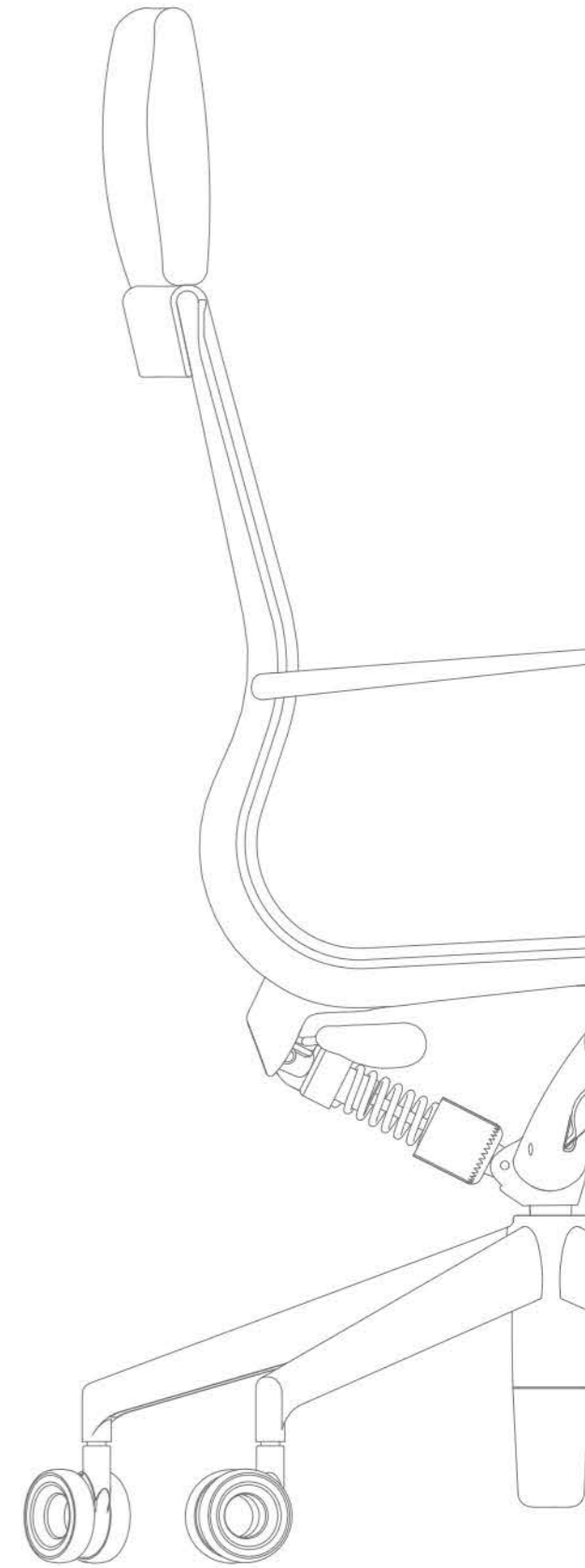
Designed by the famous Italian studio, Bartoli Design.
With elegance and simplicity, the classical design of the chair will make it a perfect addition to any room or office.



Ultra-advanced technique of aluminum alloy die-casting,
challenges technique limits.



Its refined backrest frame is made of pure aluminum alloy.
The design of the smoothly curved chair frame is exquisite,
magnificent and vigorous.



mercury



MC64S-976-AL-L

EXECUTIVE high back armchair

No matter where, Mercury can significantly escalate the aesthetics of your surrounding.



MC64S-976-AL-L



MC64G-927-PB-B



MC64S-976-AL-L



mercury



MC46P-966-AA-A

CONFERENCE

low back armchair

The brushed and glazed aluminum technique, creates a strong sense of pure metal texture which seduces your nerve of art.



MC46S-976-AL-A



MC46G-927-PB-B



MC46G-927-PB-B



MC4HS-87A-AL-L

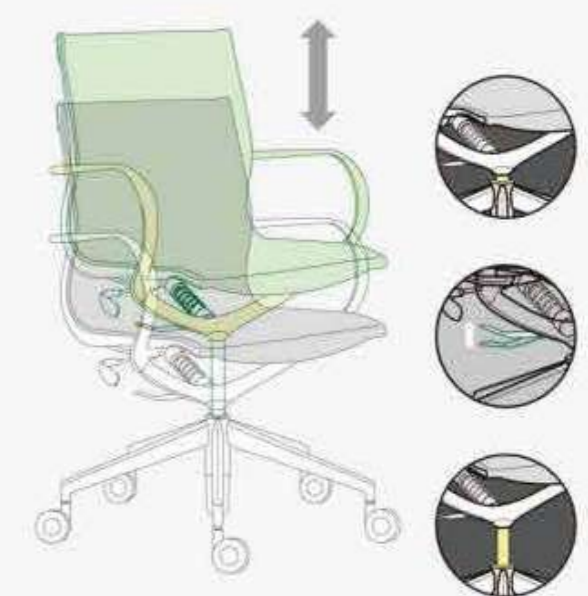
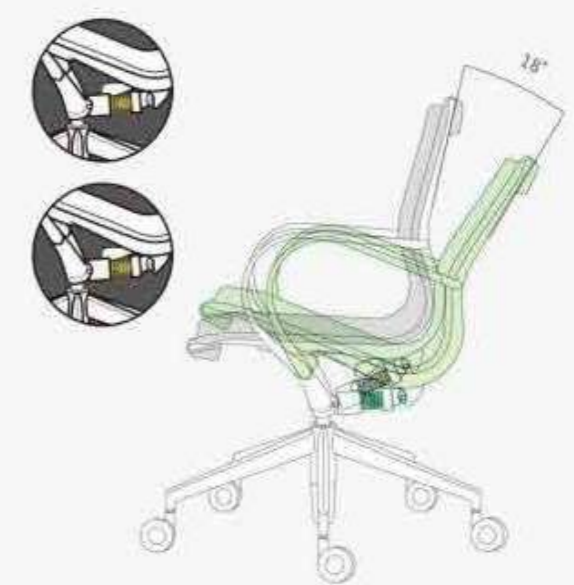
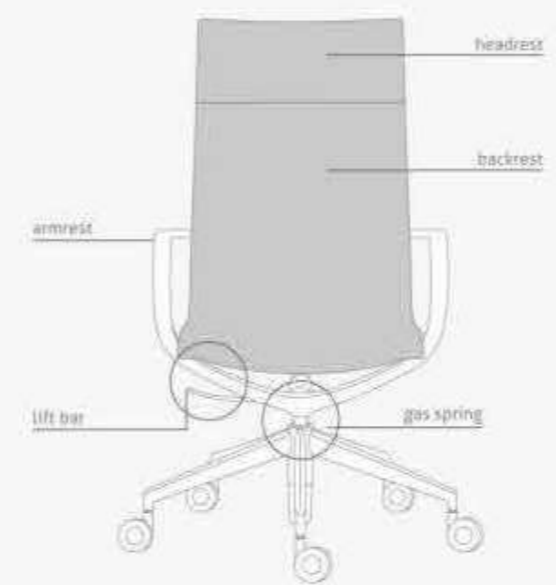
BAR CHAIR



MC4HN-82B-PB-B



MC4HG-82B-PB-B



SPECIFICATION
Materials & Colors

LS Standard Leather : 8 colors



MP2 : 3 colors



Leather : Applicable to seat cushion, backrest and headrest; 2 dimensional mesh : Applicable to seat cushion and backrest; 3 dimensional mesh: Applicable to seat cushion and backrest

Surface Treatments

Brushed and Glazed

Chair Base / Casters

Black Nylon Base

Chair Base / Glides

Brushed and Glazed Aluminum Alloy Base / Fixed Glides



Surface Treatments

Polished

Chair Base / Casters

Polished Aluminum Alloy Base

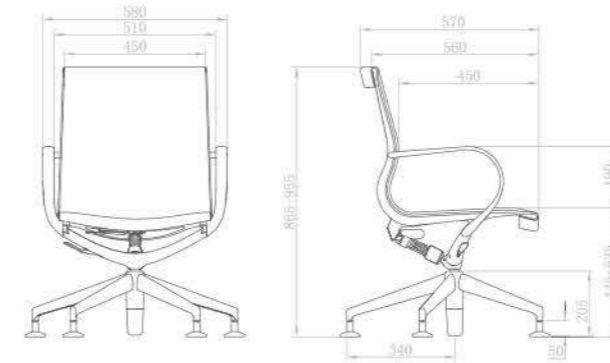
Chair Base/Glides

Polished Aluminum Alloy Base/Fixed Glides

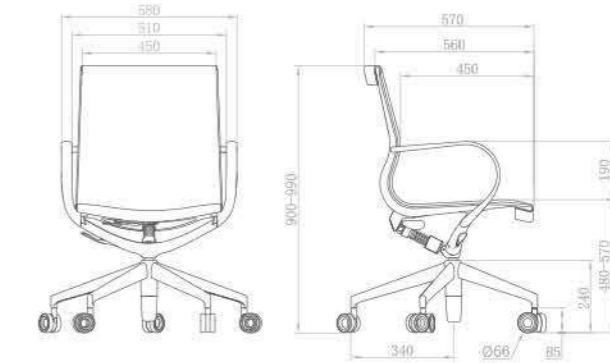


SPECIFICATION

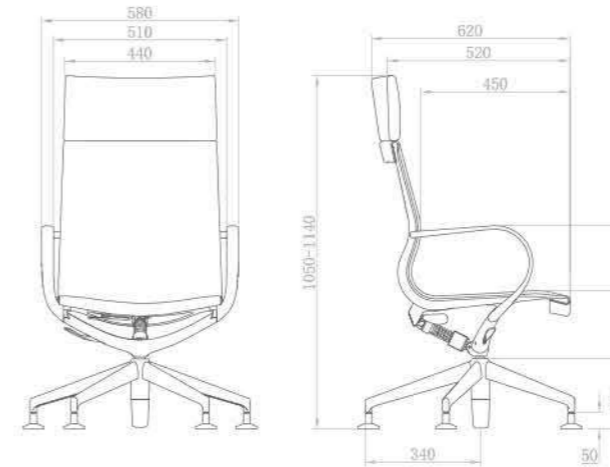
MEDIUM BACK



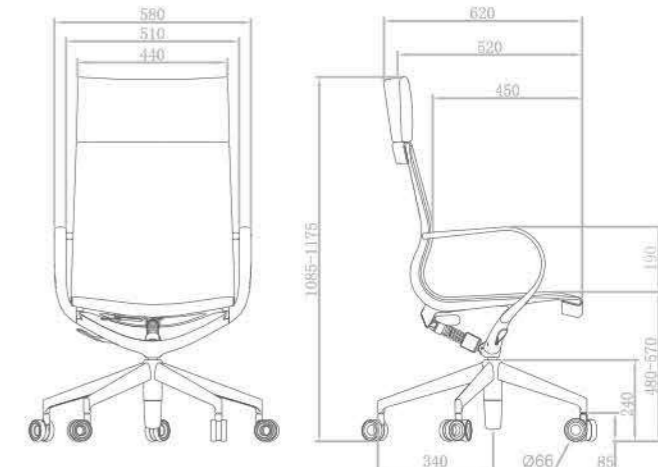
MEDIUM BACK



HIGH BACK



HIGH BACK



BAR CHAIR

